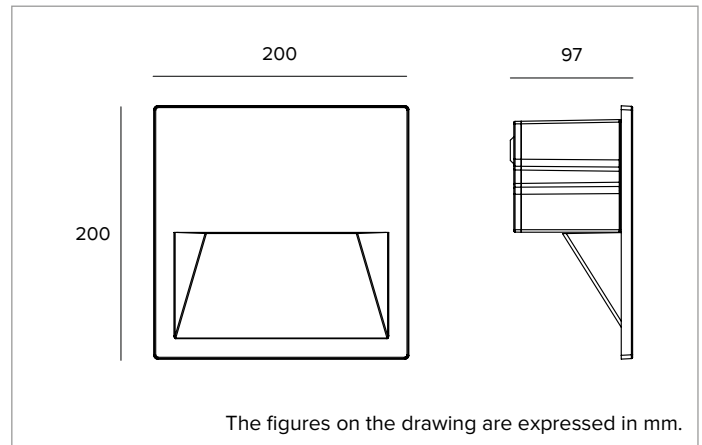


1E3195EL90 | ZEDGE Pro

Recessed wall mounted LED fixture



	3000K	H(m)	D1(m)	D2(m)	E _{max} (lx)		
	Ra90	44°	53°				
Fixture Power	16W	1	2.06	1.38	485		
Source Flux	1781lm	2	4.11	2.77	121		
Fixture Flux	610lm	3	6.17	4.15	54		
Efficacy	39lm/W	4	8.23	5.53	30		
TS1076	I _{max} =489cd/klm	I _{max}	871cd	5	10.29	6.92	19



SOURCE

2 high efficiency Ra90 LED Chip on Board.

Energy efficiency class: D

Nominal power: 14W

Nominal flux: 1781lm

Colour rendering index: 90

Rf: 92

Rg: 101

CCT nominal: 3000K

SDCM: 2

Lifetime (L80/B10): >50000h tq +25°C

ILLUMINOTECHNICAL CHARACTERISTICS

The internal optical system is composed of 2 metallised polycarbonate reflectors coupled to two high reflectance anodised aluminium reflectors and holographic filters. Louver screen in silk-screen printed extra-clear glass. DEEP Version- deep beam.

Optic: FLOOR WASHER

Optical efficiency: 34%

Fixture flux: 610lm

Luminous efficacy: 39lm/W

Photobiological safety: Compliant with RG1 low risk group

MECHANICAL CHARACTERISTICS

The body of the fixture and the external frame are made of powder coated die-cast anodised aluminium.

Colour and finish: Ferrite

Weight: 2Kg

Version: DEEP

Degree of protection: IP66

Mechanical Resistance: IK10

ELECTRICAL CHARACTERISTICS

Complete with electronic ON-OFF power supply. Pre-cabled with a 1m H07RN-F (2x1,5mm²) cable.

Fixture Power: 16W

Power supply: 220-240Vac 50/60Hz

Insulation Class: CLASS 2

Type of driver / Control: ON-OFF

Driver included: YES

Class F: YES

SAFE FLICKER: PstLM=<1 and SVM=<0.4 (IEC TR 61547-1 and IEC TR 63158), to ensure a more comfortable and safe light

Ambient temperature: -25°C / +35°C

INSTALLATION

To be completed with a special nylon outer casing fitted for parallel connection.

NOTES

Designed in collaboration with Gensler. Uses the "Waterblock Smart" technical solution that involves resin coating the connection cables, limiting the risk of humidity reaching the driver or the fixture. It is possible to subject the product to Cataphoresis treatment on request. 110-277Vac version available on request.

WARRANTY

5 years.

WARNING

Luminaire designed for disposal/recycling at end-of-life. Replaceable (LED only) light source by a professional. Replaceable control gear by a professional.

Due to the technological evolution of the electronic components, the data provided may be updated, and as such, confirmation must be requested during the order process.

Luminous flux and power supply have +/-10% tolerances with respect to the indicated value. tq +25°C (CIE 121).

We reserve the right to make technical changes.

Targetti Sankey S.r.l.
Via Pratese, 164
50145 Firenze - Italy
Tel: +39 055 37911
targetti.com
targetti@targetti.com

CCIAA Firenze
Share Capital:
€ 500.000,00
VAT N. (IT):
01537660480
R.E.A.: FI-275656

TARGETTI

1E3195EL90 | ZEDGE Pro

Recessed wall mounted LED fixture

Related codes

Insertion Box



Code

1E3219

Nylon outer casing fitted for parallel connection with feed through-wiring.
AxBxH=207x207x14.5mm.
For flush or overlay installation.

Carter



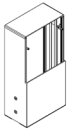
Colour

Code

**1E3440**

Plate accessory for wall mounted installation.
Powder coated anodised aluminium.
AxBxH=201x201x107mm.

Bollard



Kg

H mm

Colour

Code

3.5

400

**1E3437**

5.8

800

**1E3438**

7

1000

**1E3439**

Powder coated anodised aluminium bollard.

Mounting System



Code

1E3450

Fixing rods for installation in concrete.
AISI 316 stainless steel.
H=147mm.
0.36Kg.

For Zedge Pro Bollard installation with pole 1E3437, 1E3438, 1E3439.

Accessories

Connector



Code

1E2769

Linear connection box IP66/IP68.
5 poles max. wire section 1.5mm².
Cable diameter range from 7 to 12mm.



Code

1E2494

Multiple connection box IP68.
1 IN - 3 OUT 4 poles max. wire section 2.5mm².
Cable diameter range from 6 to 12mm.

Tool



Code

1E3305

Tightening wrench for the connector kit.

Surge protector



Code

A013B

Surge protector compatible with CLASS II lighting fixtures and electronic drivers.
Operating voltage 220-240Vac.
SPD type 2+3.
Max surge protection 10kV.
CLASS II
IP67

Due to the technological evolution of the electronic components, the data provided may be updated, and as such, confirmation must be requested during the order process.
Luminous flux and power supply have +/-10% tolerances with respect to the indicated value. tq +25°C (CIE 121).

We reserve the right to make technical changes.

Targetti Sankey S.r.l.
Via Pratese, 164
50145 Firenze - Italy
Tel: +39 055 37911
targetti.com
targetti@targetti.com

CCIAA Firenze
Share Capital:
€ 500.000,00
VAT N. (IT):
01537660480
R.E.A: FI-275656

TARGETTI